

PE /PG/PN/PB SERIES

Ordering Code

PE090

—

010

/

MOTOR

Gear Size:

PE: PE050, PE070, PE090, PE120, PE155

PG: PG040, PG060, PG080, PG080A, PG120, PG120A, PG160

PN: PN 023, PN034, PN042, PN056, PN075

PB: PB060, PB090, PB115, PB142

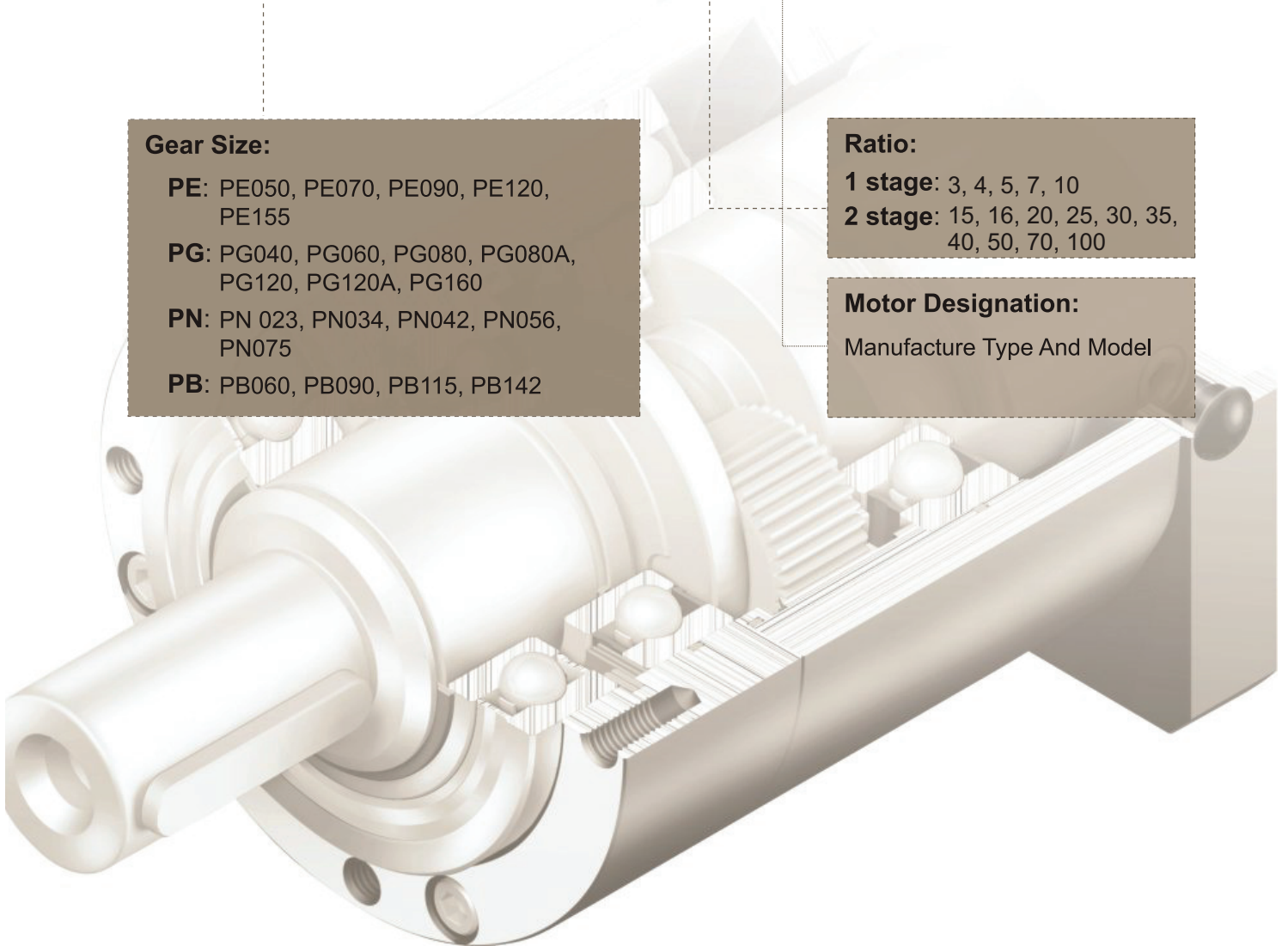
Ratio:

1 stage: 3, 4, 5, 7, 10

2 stage: 15, 16, 20, 25, 30, 35, 40, 50, 70, 100

Motor Designation:

Manufacture Type And Model



Ordering Example: PE090-010 / SIEMENS 1FT6 041-4AF71



APEX DYNAMICS, INC.

